

SDS6035 SERIES ~ Shielded SMD Power Inductors

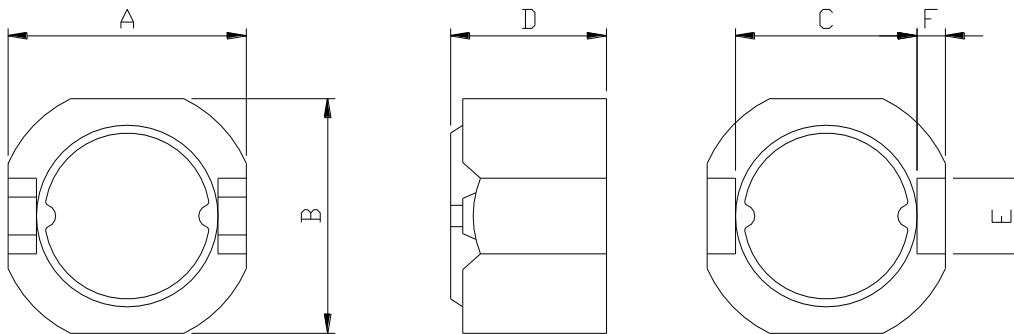


PART NUMBERING SYSTEM

SDS	6035	—	150M	—	LF
TYPE	DIMENSIONS		INDUCTANCE		LEAD FREE

SHAPES AND DIMENSIONS

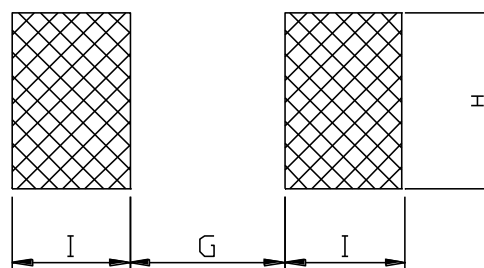
UNIT : mm



A=6.3 Max. B=6.3 Max. C=4.8 D=3.5 Max. E=2.0 F=0.6

RECOMMENDED PATTERNS

UNIT : mm



G= 4.60 H= 2.60 I = 1.00

FEATURES

- Low profile (6.2x6.3 max. square. 3.5mm max. height).
- Magnetically shielded construction and low DC resistance.
- Suitable for large current.
- Ideal for a variety of DC-DC converter inductor application.
- Lead Free and RoHS Compliant.

SDS6035 SERIES ~ Shielded SMD Power Inductors



SPECIFICATION TABLE

PART NUMBER	INDUCTANCE (μ H)	DCR (m Ω) (Max.)	Isat (A) (Max.)	Irms (A) (Max.)	TEST FREQ. (f)
SDS6035-2R0M-LF	2.0 \pm 20%	19	3.00	3.51	100KHz
SDS6035-2R7M-LF	2.7 \pm 20%	22	2.69	3.32	100KHz
SDS6035-3R3M-LF	3.3 \pm 20%	26	2.57	2.99	100KHz
SDS6035-4R7M-LF	4.7 \pm 20%	32	2.08	2.67	100KHz
SDS6035-6R2M-LF	6.2 \pm 20%	35	1.84	2.56	100KHz
SDS6035-8R2M-LF	8.2 \pm 20%	44	1.54	2.24	100KHz
SDS6035-100M-LF	10 \pm 20%	50	1.49	2.09	100KHz
SDS6035-120M-LF	12 \pm 20%	62	1.28	1.84	100KHz
SDS6035-150M-LF	15 \pm 20%	77	1.10	1.64	100KHz
SDS6035-180M-LF	18 \pm 20%	82	1.05	1.61	100KHz
SDS6035-220M-LF	22 \pm 20%	106	0.97	1.37	100KHz
SDS6035-270M-LF	27 \pm 20%	140	0.82	1.18	100KHz
SDS6035-330M-LF	33 \pm 20%	162	0.76	1.09	100KHz
SDS6035-390M-LF	39 \pm 20%	191	0.70	1.02	100KHz
SDS6035-470M-LF	47 \pm 20%	208	0.68	0.95	100KHz
SDS6035-560M-LF	56 \pm 20%	257	0.60	0.85	100KHz
SDS6035-680M-LF	68 \pm 20%	319	0.56	0.75	100KHz
SDS6035-820M-LF	82 \pm 20%	420	0.47	0.65	100KHz
SDS6035-101M-LF	100 \pm 20%	477	0.45	0.60	100KHz

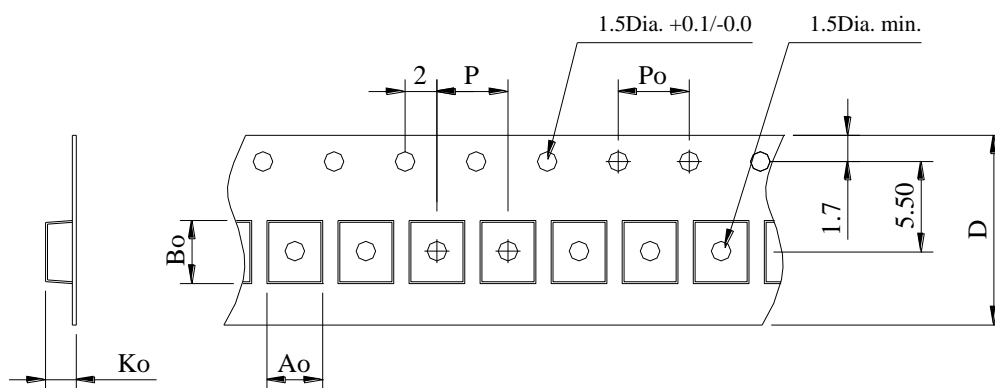
- Isat : DC current at which the inductance drops 30%(typ) from its value without current.
- I rms : : Average current for 40°C temperature rise from 20°C ambient.
- Operating temperature range -40°C to +125°C ,
- Electrical specifications at 20°C .



SDS6035 SERIES ~ Shielded SMD Power Inductors



PACKAGING SPECIFICATION



STAYLE	Q'TY (PCS)	DIMENSIONS (m/m)					
		A_o	B_o	K_o	P	P_o	$D \pm 0.3$
13"	1,500	5.72	5.72	4.00	8.00	4.00	12.0